



**KALCO**  
Handcrafted Since 1980

# ASSEMBLY & INSTALLATION INSTRUCTIONS

MODEL: 810  
SANTA BARBARA 2 LT MIRROR

## I M A G E



If you have any questions or problems assembling your fixture please call us for assistance.

Customer Service: (702) 361-4345 or (800) 525-2655  
[customer.services@kalco.com](mailto:customer.services@kalco.com)

**WARNING!** TO REDUCE THE RISK OF FIRE OR INJURY PLEASE TAKE PRECAUTION AND FOLLOW THE STEPS BELOW.

1. If you are unfamiliar with electrical wiring, call a qualified electrician to install this unit. More than one person may be necessary to install fixture, make sure you have enough qualified help.
2. Turn off the power to the fixture's circuit at the service panel. Use a voltage detector to verify that the power is off.
3. DO NOT install bulb which exceeds the maximum wattage specified on the socket label.

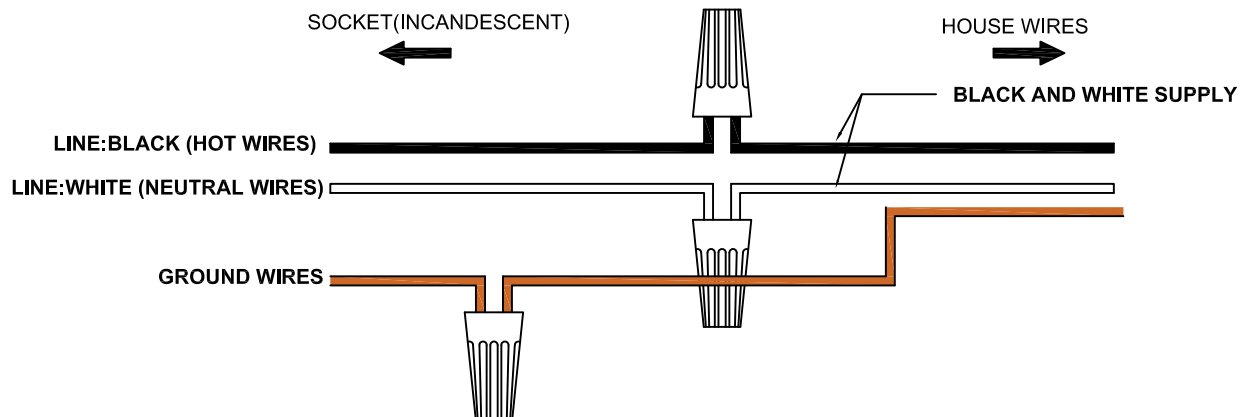
Si vous avez des questions ou des problèmes assemblage de votre dispositif s'il vous plait appel pour l'assistance.

Customer Service: (702) 361-4345 or (800) 525-2655  
[customer.services@kalco.com](mailto:customer.services@kalco.com)

**AVERTISSEMENT!** POUR RÉDUIRE LES RISQUES D'INCENDIE OU DE BLESSURES S'IL VOUS PLAÎT PRENDRE DES PRÉCAUTIONS ET SUIVEZ LES ÉTAPES CI-DESSOUS.

1. Si vous n'êtes pas familier avec le câblage électrique, appelez un électricien qualifié pour installer cet appareil. Plus d'une personne peut être nécessaire d'installer appareil, assurez vous que vous disposez de l'aide assez qualifié.
2. Coupez l'alimentation au circuit de l'appareil sur le tableau de service. Utiliser un détecteur de tension pour vérifier que l'alimentation est coupée
3. NE PAS installer l'ampoule qui excède la puissance maximale indiquée sur l'étiquette du socket.

## WIRING DIAGRAM



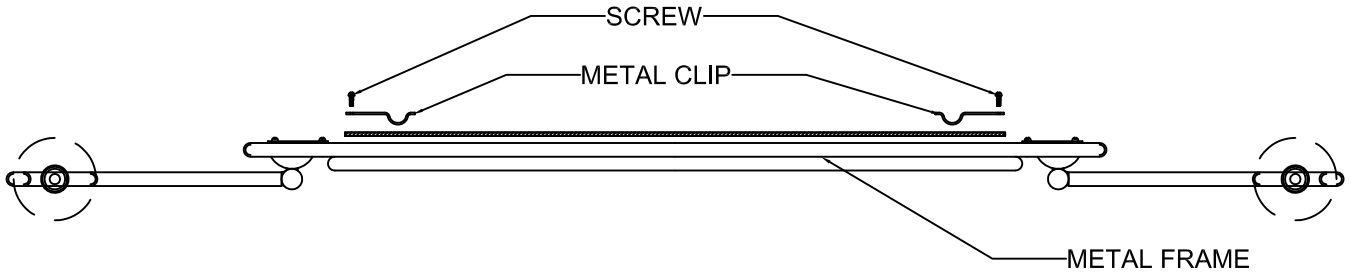


**KALCO**  
Handcrafted Since 1980

# ASSEMBLY & INSTALLATION INSTRUCTIONS

MODEL: 810  
SANTA BARBARA 2 LT MIRROR

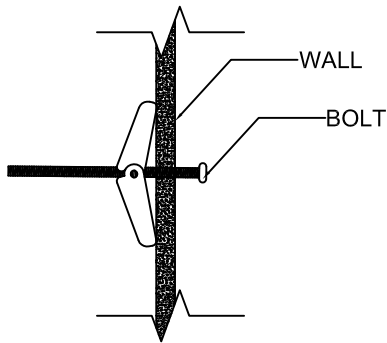
## FRAME/COMPONENTS ASSEMBLY



### STEP 1: Mirror Assembly

Note: Use carton or other non-abrasive material to lay the frame on, to protect the finish.

Unscrew the two (2) pcs. metal clip at the back. Remove the cardboard and insert the mirror on the frame. Place again the cardboard behind the mirror and put back the screw again as shown.



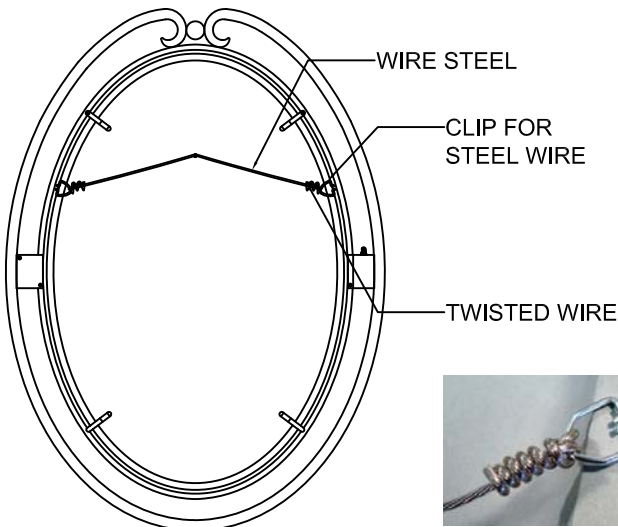
### STEP 2: Wall Mounting

For dry or plaster walls use some type of toggle or expandable screw that will support the weight of your mirror

Determine the height desired and fasten the type of hanger to the wall.

Use the wire steel provided with mirror at the back of the frame there is two (2) pcs. clip to attach the steel wire, loop the wire and twisting it back on itself at least four (4) times.

Hang the mirror approximately 3 inch onto the hanging clip. (or desired height)



TWISTED WIRE SAMPLE

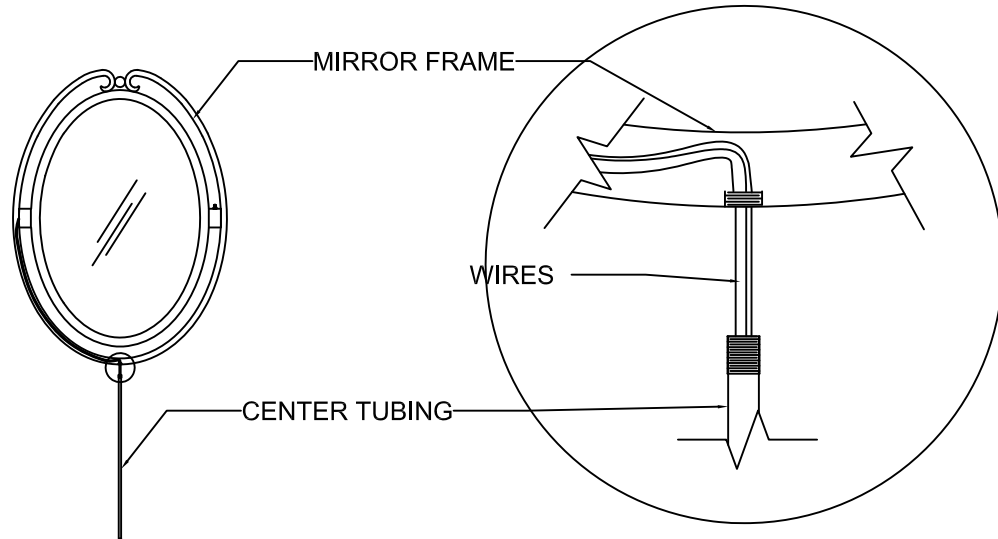


**KALCO**  
Handcrafted Since 1980

# ASSEMBLY & INSTALLATION INSTRUCTIONS

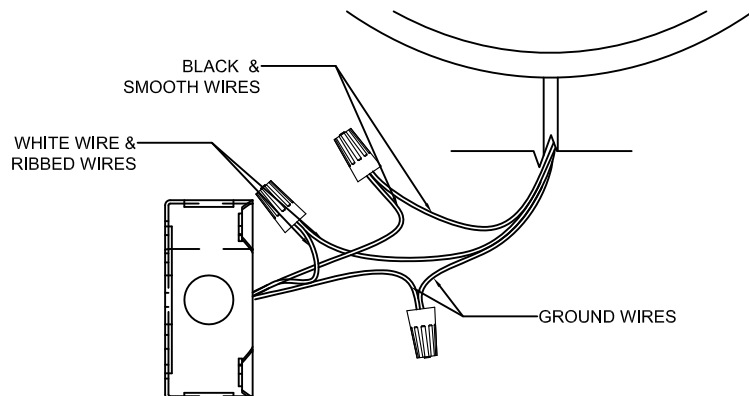
MODEL: 810  
SANTA BARBARA 2 LT MIRROR

## FRAME/COMPONENTS ASSEMBLY



### STEP 3: Electrical Assembly

Insert the wires to the center tubing (optional) and screw to the mirror frame as shown, then proceed to the wiring installation .



Refer to wiring diagram. With wire carefully threaded thru canopy,. Connect the black supply wire to the smooth fixture wire with wire connector. Connect the white supply wire to the ribbed fixture wire with wire connector. Connect ground wire from fixture with supply ground wire.

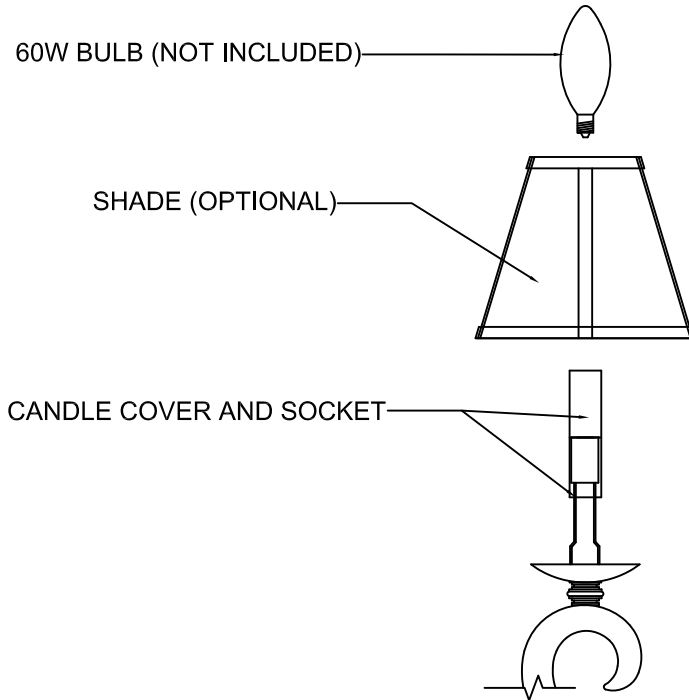


KALCO  
Handcrafted Since 1980

# ASSEMBLY & INSTALLATION INSTRUCTIONS

MODEL: 810  
SANTA BARBARA 2 LT MIRROR

## PARTS LIST



- STEP 4: Install the candle cover to the socket
- STEP 5: Install the shade to the candle cover.
- STEP 6: Install bulbs, Do not use bulbs that exceed 60 Watts.

### LIGHTING MAINTENANCE:

- Regular cleaning of fixture with proper and gentle care using a soft duster, soft lint-free or damp cloth is recommended.
- Refrain from using harsh cleaning liquids that may cause chemical reaction on the hand painted finishes.
- Always refer to the Assembly Instruction before removing any components.
- **HANDLE WITH CARE.**






# ASSEMBLY & INSTALLATION INSTRUCTIONS

MODEL: 810  
SANTA BARBARA 2 LT MIRROR

**KALCO**  
Handcrafted Since 1980

## PARTS LIST

| IMAGE  | PARTS NAME                   | QTY   |
|--|------------------------------|-------|
|   | 24" Length Round Tubing Stem | 1 PC  |
|   | Mirror Cable (4 ft.)         | 1 PC  |
|  | Candle Cover                 | 2 PCs |