

Installation Instructions

READ PRIOR TO ATTEMPTING INSTALLATION

SPECIALTY LIGHTING - 24V LED LIGHTBAR SILK SBC

ALWAYS TURN OFF MAIN POWER BEFORE INSTALLATION

INSTALLATION SHOULD BE CARRIED OUT BY YOUR LOCAL ELECTRICIAN.

Item#	Description
NULB-806LED	6" LED SILK SBC Lightbar 90+CRI
NULB-812LED	12" LED SILK SBC Lightbar 90+CRI
NULB-824LED	24" LED SILK SBC Lightbar 90+CRI
NULB-836LED	36" LED SILK SBC Lightbar 90+CRI
NULB-848LED	48" LED SILK SBC Lightbar 90+CRI

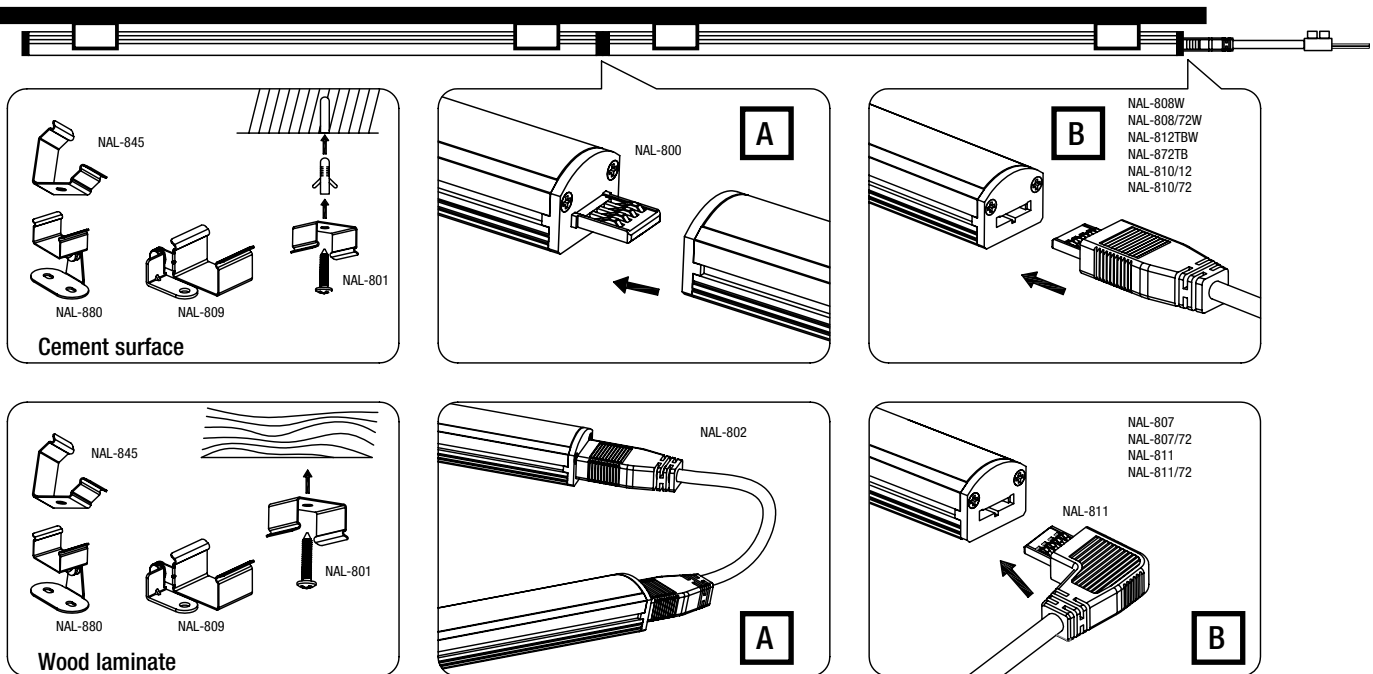
PLEASE READ: Important information before installation

- Always turn off power prior to installation or replacement
- Risk of electric shock. Do not use any connection pins to touch any electrical conductors.
- Do not press directly on the top cover (lens), as it may cause damage
- For indoor use only. Do not use the product in a potentially combustive environment or outdoors.

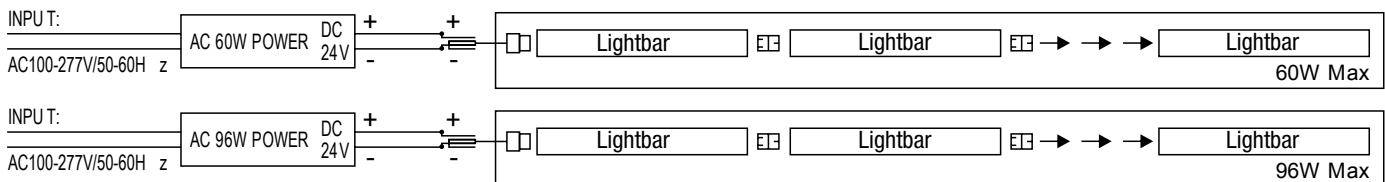
Installation Instructions

1. Mark the mounting position on the surface to align the LED Lightbar.
2. Align and secure the mounting clips to the surface.
3. Gently push the LED Lightbar into the mounting clips.
4. Connect LED Lightbars to create a continuous row by using seamless type connectors (A) or interconnects (C). Be careful not to go over the wattage limit of the driver when connecting LED Lightbars.
5. Plug-in power feed (B) into the appropriate side of the LED Lightbar (1 slot).
6. Check the connections and turn the power on.

LIGHTBAR SILK INSTALLATION



LIGHTBAR SILK WIRING DIAGRAM



- Please make sure that the total power of the run does not exceed the rating of the driver